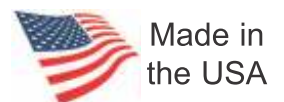


AK-3/AK3-AS

The **AK** series of pour-over equipment is designed to offer years of trouble free operation while delivering a consistently great cup of fresh hot coffee with every brew. This flexible brewer family accomodates all of today's brewing vessels from traditional glass decanters to the latest in thermal dispensers, airpots and servers

The **AK** models incorporate features such as: a traditional displacement hot water tank system, ready light incorporated for optimum brewing temperature, master on/off power switch, and durable stainless steel construction. The AK-AS models incorporate automatic warmer shut down for added safety and energy conservation



Distributed By :



www.vendohio.com

Area Wide Inc.

4753 E. Lower Springboro Rd.
Waynesville, OH 45068
Phone: 1-800-233-5413
Fax : 1-513-897-7696
e-mail: vending@earthlink.net

AK-3 / AK3-AS

Pour Over Brewer

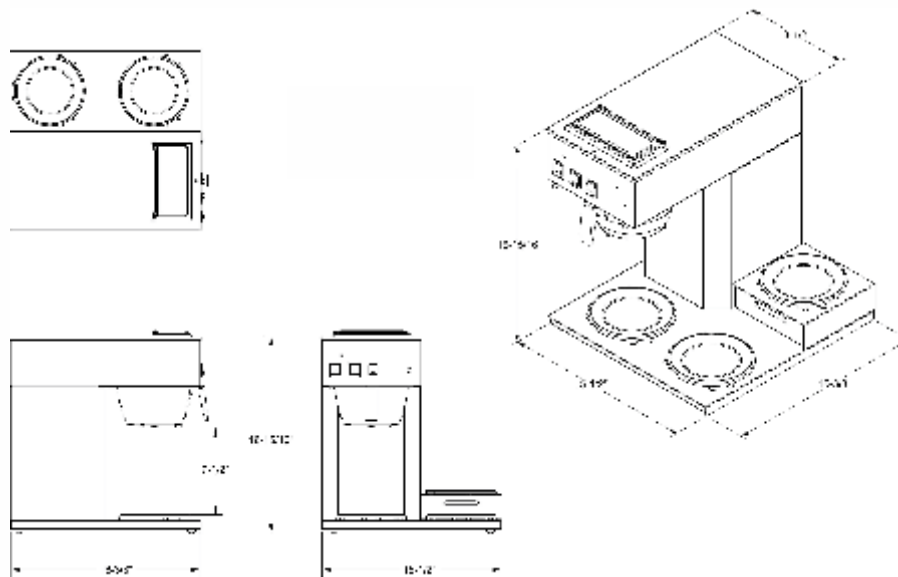
Ready light incorporated for optimum brewing temperatures

Durable stainless steel construction

Master power switch

Private Labeling Available for brewer face-plate

On AK-AS models, automatic warmer shut down is adjustable from 30 minutes to 4 hours



MODEL	WIDTH	DEPTH	HEIGHT	(USA)	CANADA	WEIGHT	CU.FT.
AK-3/AK3-AS	15 1/2"	16 3/8"	16 15/16"	14.6A	11.7A	28LB.	7.81